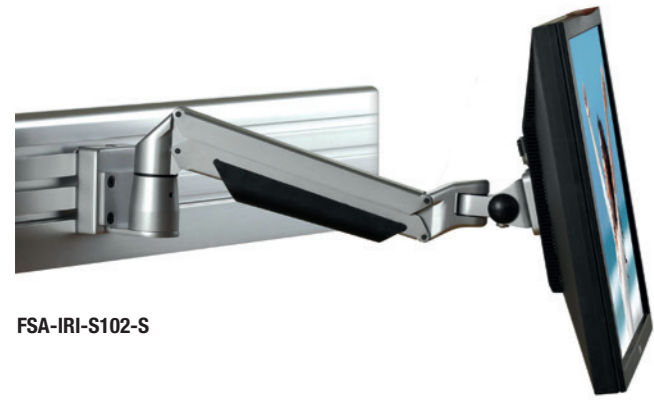
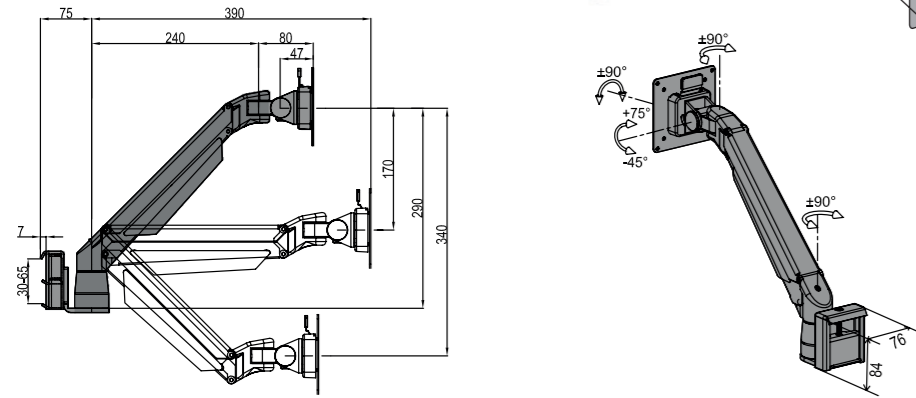


**Slat Wall Gas Arm**



FSA-IRI-S102-S



**PRODUCT FEATURES**

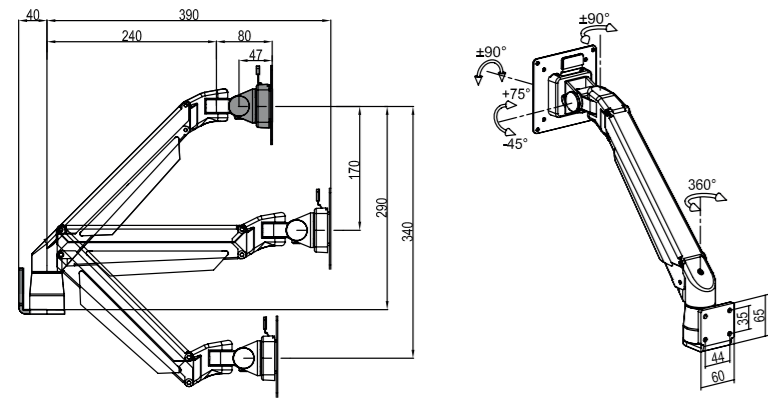
- Easy to adjust both monitor to preferred view
- Gas Lift height adjustable
- Quick release VESA

- LCD size** ≤30"
- Wt. capacity** 2-10 / 9-21
- Lift** 340mm
- Tilt** +75° -45°
- Swivel** +/- 90°
- Pivot** +/- 90°
- VESA** 75x75 / 100x100
- Packing Size** Inner 520x140x110mm Outer 535x155x350mm

**Wall Mount Gas Arm**



FSA-IRI-S103-S



**PRODUCT FEATURES**

- Easy to adjust both monitor to preferred view
- Gas Lift height adjustable
- Quick release VESA

- LCD size** ≤30"
- Wt. capacity** 2-10 / 9-21
- Lift** 340mm
- Tilt** +75° -45°
- Swivel** +/- 90°
- Pivot** +/- 90°
- VESA** 75x75 / 100x100
- Packing Size** Inner 520x140x110mm Outer 535x155x350mm

# IRIS MONITOR ARM



**GAS ARM ACCESSORIES**

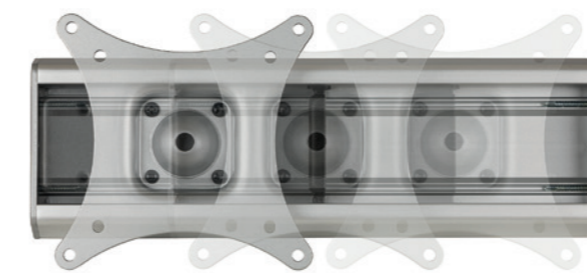
**Laptop Vessa Attachment FSA-OR0-ACC-001**



**Iris Height Extender – Silver FSA-IRI-ACC-010**



**Slide for Iris Monitor Arm – Silver FSA-IRI-SLIDE-01**



# IRIS MONITOR ARM

Our industry leading Iris Arms provide smooth individual screen adjustment at your fingertips. The Iris Arm is the ultimate monitor arm solution.



**Single Flat Screen Gas Arm**



FSFSA-IRI-S100-W



FSFSA-IRI-S100-B

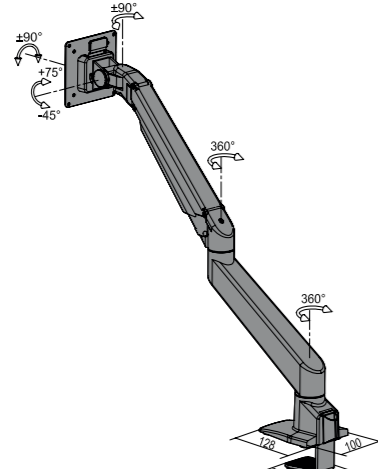
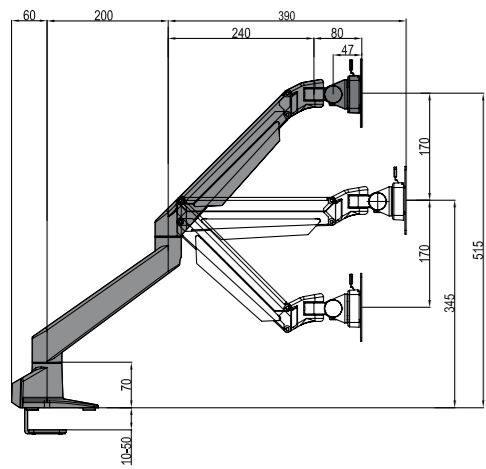
**PRODUCT FEATURES**

- Easy to adjust both monitors to preferred and unobstructed view
- Weight adjustable to suit monitors of all sizes
- Quick and easy installation

LCD size ≤30"	Swivel +/- 90°
Wt. capacity 2-10 / 9-21	Pivot +/- 90°
Lift 340mm	VESA 75x75 / 100x100
Tilt +75° -45°	Packing Size Inner 475x195x140mm Outer 490x210x440mm



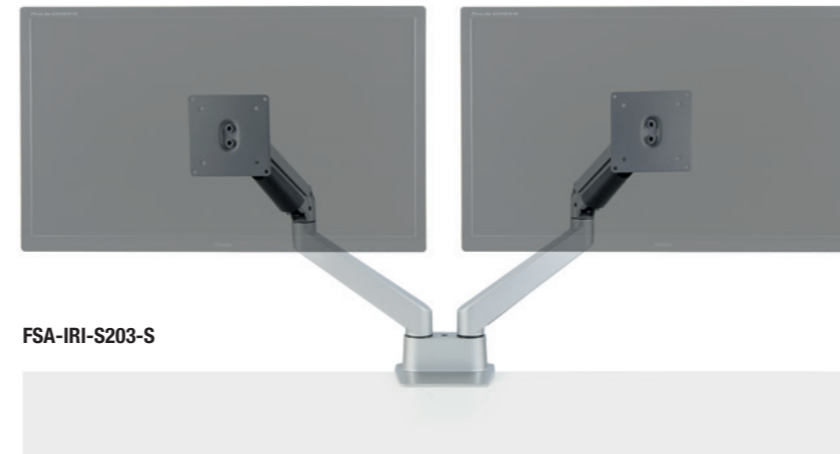
FSFSA-IRI-S100-S



**Double Flat Screen Gas Arms**



FSA-IRI-S203-W

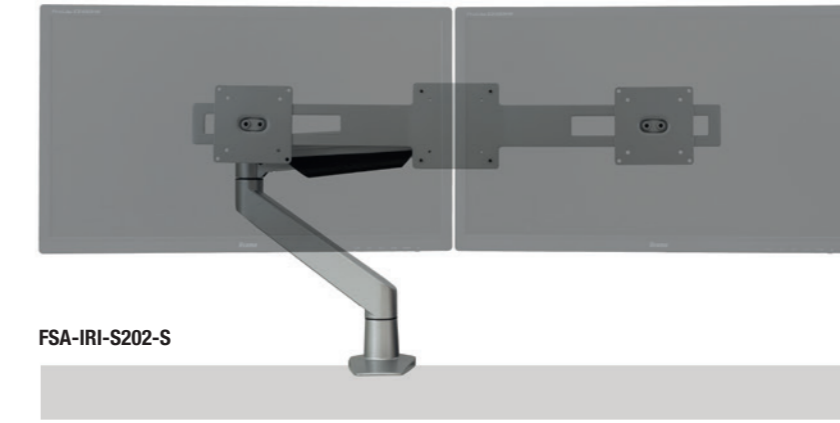
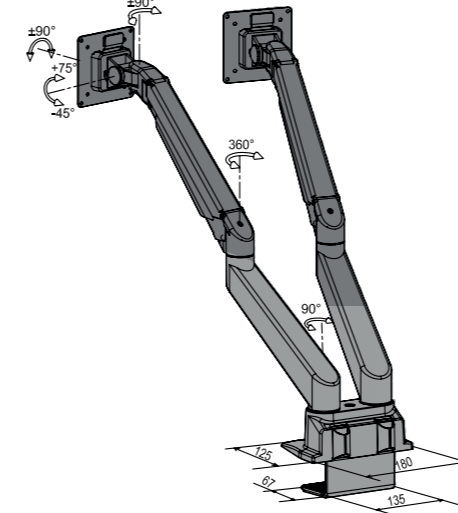
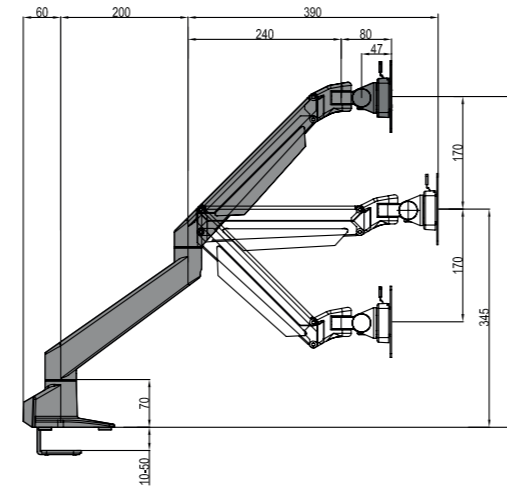


FSA-IRI-S203-S

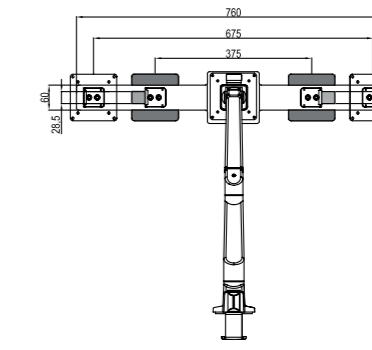
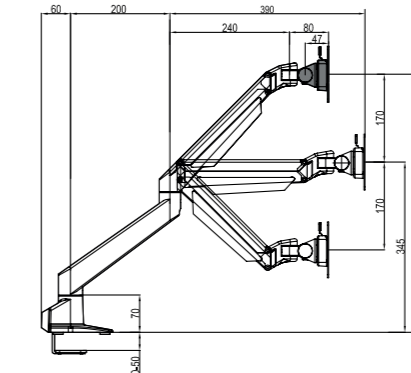
**PRODUCT FEATURES**

- Easy to adjust both monitors to preferred and unobstructed view
- Weight adjustable to suit monitors of all sizes
- Quick and easy installation

LCD size ≤24"	Swivel +/- 90°
Wt. capacity 2-10 / 9-21	Pivot +/- 90°
Lift 340mm	VESA 75x75 / 100x100
Tilt +75° -45°	Packing Size Inner 580x255x165mm Outer 595x240x515mm



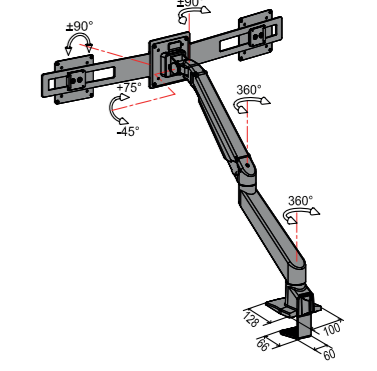
FSA-IRI-S202-S



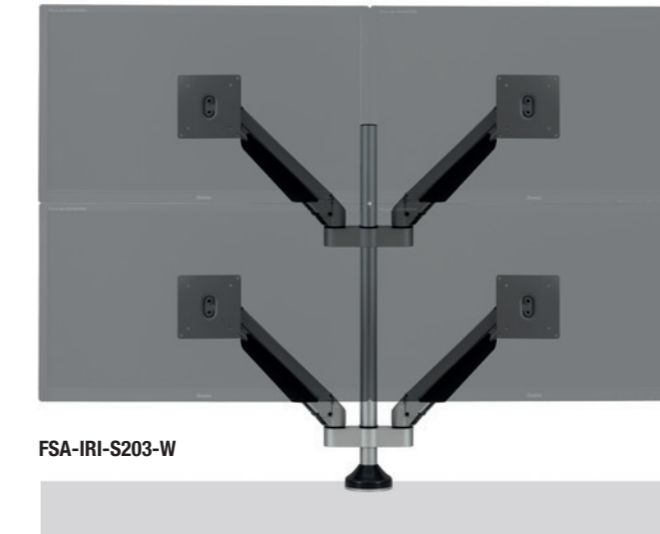
**PRODUCT FEATURES**

- Quick and easy installation
- Ideal for workstations where space is restricted
- Dual Arm attachment available as separate item to easily turn in existing single arm into a double

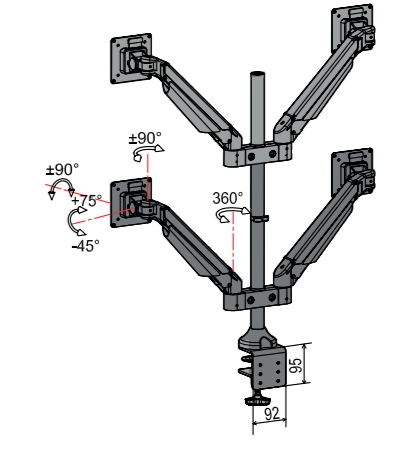
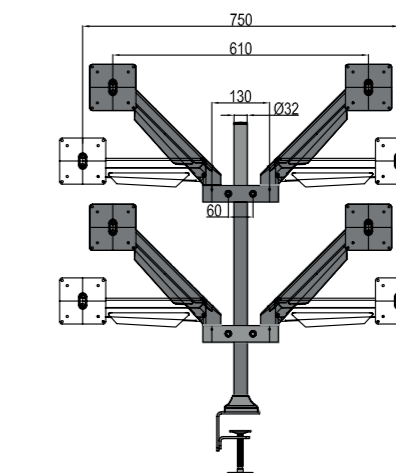
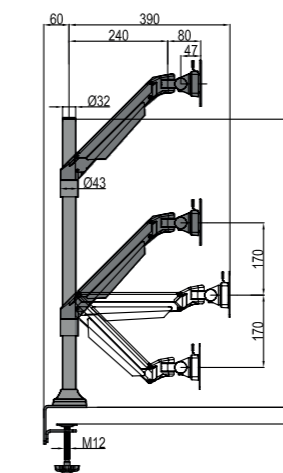
LCD size ≤24"	Swivel +/- 90°
Wt. capacity 2-10 / 9-21	Pivot +/- 90°
Lift 340mm	VESA 75x75 / 100x100
Tilt +75° -45°	Packing Size Inner 475x195x140mm Outer 490x210x440mm



**Quad Screen Pole Arm**



FSA-IRI-S203-W



**PRODUCT FEATURES**

- Easy to adjust monitors to preferred and unobstructed view
- Weight adjustable to suit monitors of all sizes
- Quick and easy installation

LCD size ≤24"	Swivel +/- 90°
Wt. capacity 2-10 / 9-21	Pivot +/- 90°
Lift 340mm	VESA 75x75 / 100x100
Tilt +75° -45°	Packing Size 965x255x150mm