

# OPUS

**+** Classic & Customisable

An « ergo + » version offering even more adjustments  
(negative seat tilt, 360° rotatable armrests)




Optional lumbar support  
feature, with extensive  
adjustment range (11 cm)



A large and comfortable  
seat (51 cm)

Height-adjustable  
fabric and mesh backrests (+ 6 cm)

## ADJUSTMENTS

			
	Comfort	Ergonomic	Ergo+
Lockable backrest position	4 positions	4 positions	5 positions
Backrest tension adjustment	Handwheel under seat front	Lateral hand lever	Lateral hand lever
Seat depth adjustment	-	5.5 cm	10 cm
Seat height adjustment	12.5 cm	12.5 cm	16 cm
Negative seat tilt	-	-	between 2 and 7°



# PRICES

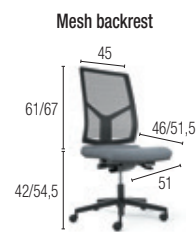
Price excl. taxes: **From stock** **On request**

## TASK CHAIRS

**Soft floor castors - Fabrics (Cat. A)** (Optional armrests)

Synchro comfort

Synchro ergonomic



	Ref. + fab. + SV	Price excl. tax	Ref. + fab. + SV + msh.	Price excl. tax
Synchro comfort	5 111 214	£ 295	5 111 212	£ 305
Synchro ergonomic	5 111 216	£ 323	5 111 210	£ 332

## TASK CHAIRS WITH HEADREST

**Soft floor castors - Fabrics (Cat. A)** (Optional armrests)

Synchro ergonomic



	Ref. + fab. + SV	Price excl. tax	Ref. + fab. + SV + msh.	Price excl. tax
Synchro ergonomic	5 111 306	£ 426	5 111 300	£ 437

## TASK CHAIRS WITH ERGO+ HEADREST

**Soft floor castors - Fabrics (Cat. A)** (4D chrome armrests included)

Synchro Ergo +



	Ref. + fab. + SQ	Price excl. tax	Ref. + fab. + SQ + msh.	Price excl. tax
Synchro Ergo +	5 111 204	£ 715	5 111 200	£ 724

## OPTIONS

	Ref.	Price excl. tax		Ref.	Price excl. tax
Castors for hard floors Ø 50 mm	5 643 020	£ 13	1D armrests	5 111 198 + SV	£ 38
Self-braking castors for soft floors Ø 50 mm	5 643 032	£ 13	4D armrests	5 111 199 + SV	£ 66
Lumbar support (or mesh backrest version only)	5 111 016 + SV	£ 13			

## FINISHES

4 choices of Bondai fabric colour (Cat. A) (+ fab.) 				4 choices of fabric colour shade cards (+ fab.) 				1 choice of mesh colour (+ msh.) 	2 choices of chair base colour finish 	
FROM STOCK				ON REQUEST				FROM STOCK	ON REQUEST	

ON REQUEST: allow 4 weeks