



M38

DECISION-MAKING



Combining cutting-edge design and contemporary styling, whether through the elegance and refinement of glazed surfaces or the welcoming allure of thick worktops, M38 is a range that offers variety to the executive work space. M38 effortlessly associates graceful curves with sleek linear forms.





“M38 has a solution to meet every manager’s exacting needs, thanks to an extensive selection of distinctive desk designs, our latest in modern Deco storage furniture and a choice of meeting tables in an assorted finish.”

DIDIER BONDOUX Director Supply Chain



Desk designed around an extra thick melamine worktop, supported by rounded triangular legs.



Meeting tables in matching decorative finish to desks.



A fixed return unit resting on a Frame design leg maximises the available work surface.



Deco storage units can double up as office space partitioning units.



M38



Except glazed desk tops



Melamine tops



Glass tops



MELAMINE WORKTOPS

Counterbalanced 38 mm thick high density melamine table tops. Strip of ABS edge banding in a matching finish to the worktop, rounded at the top and bottom for optimal user comfort. Desk structure is secured to the worktops by means of screws and metal inserts. Worktop height: 74.80 cm.



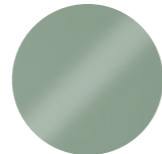
MQ
ZEBRA LIGHT OAK



RL
AMBER WALNUT



MT
ROYAL BROWN OAK



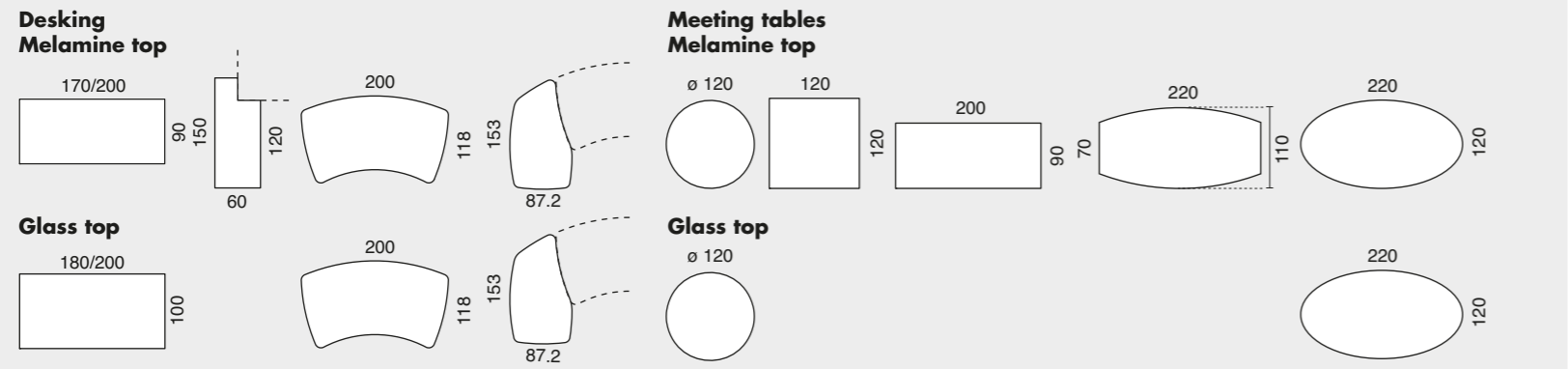
GB
GLOSSY ENAMELLED
LIGHT GREY



GD
GLOSSY ENAMELLED
BLACK

TOUGHENED GLASS WORKTOPS

Toughened enamelled safety glass worktops, 12 mm thick. Smoothed joins, all 4 corners are rounded. Secured to the desk structure using suction pads. Worktop height: 72.20 cm



FRAME DESIGN LEGS

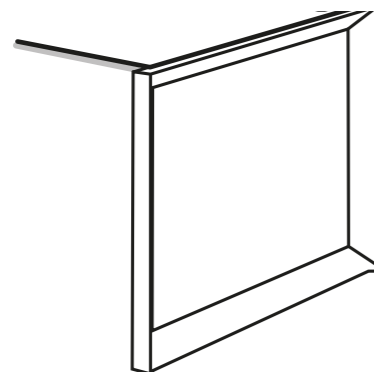
Triangular section 59 x 59 x 80 mm, tubular steel Frame design legs. Structural rigidity ensured by a tubular horizontal crossbar assembled to the lower leg sections. Stabilizer feet adjust in height through 15 mm.



SA
ALUMINIUM GREY



LW
GLOSSY BLACK



FRAME DESIGN LEGS

ROUNDED TRIANGULAR LEGS

Rounded metallic triangular legs 70 mm. Top section of the leg composed of a triangular metal worktop support plate. Stabilizer feet adjust in height through 25 mm. Melamine worktops rest on structural legs and glass worktops are supported by a metal desk frame.



SA
ALUMINIUM GREY



ROUNDED TRIANGULAR LEGS



1-2- Two choices of worktop: extra thick melamine or glass
Two types of leg design: metal Frame leg or rounded triangular leg **3-** Curved or standard rectangular metal modesty panel
4- Mobile pedestals with folded sheet steel shell, melamine drawer fronts and back panels **5-** Deco melamine cupboards with drawers, sliding doors or swing doors.



Scan the QR code to view technical specifications sheet

ROUNDED TRIANGULAR LEGS

RECTANGULAR DESKS

Structure available with melamine top.

		£
W. 170 x D. 90 cm	3 095 744 + top + SA	680
W. 200 x D. 90 cm	3 095 745 + top + SA	760

RECTANGULAR DESKS WITH FIXED RETURN D. 60 CM

Desk structure featuring a melamine worktop with fixed return on rounded triangular legs.

	LEFT-HAND RETURN	RIGHT-HAND RETURN	£
W. 200 x D. 210 cm	3 095 755 + top + SA	3 095 757 + top + SA	1036
W. 230 x D. 210 cm	3 095 756 + top + SA	3 095 758 + top + SA	1116

FIXED RETURNS FOR RECTANGULAR DESKS

Structure available with melamine worktop.

ON ROUNDED TRIANGULAR LEGS

	LEFT-HAND RETURN	RIGHT-HAND RETURN	£
W. 150 x D. 60 cm	3 095 243 + top + SA	3 095 238 + top + SA	392

ON SUPPORTING METAL PEDESTAL WITH MELAMINE DRAWER FRONTS

	LEFT-HAND RETURN	RIGHT-HAND RETURN	£
W. 150 x D. 60 cm	3 095 239 + top + SA	3 095 234 + top + SA	576

CURVED DESKS

	MELAMINE TOP	GLASS TOP	£
W. 200 x D. 118 cm	3 095 748 + top + SA	3 095 220 + top + SA	1448

CURVED DESKS WITH FIXED RETURN D. 60 CM

Desk structure featuring either a melamine or glass worktop with fixed return on rounded triangular legs.

	MELAMINE TOP	GLASS TOP	£
W. 264 x D. 178 cm - left-hand return	3 095 759 + top + SA	3 095 761 + top + SA	2328
W. 264 x D. 178 cm - right-hand return	3 095 760 + top + SA	3 095 762 + top + SA	2328

FIXED RETURNS FOR CURVED DESKS

MELAMINE OR GLASS TOP ON ROUNDED TRIANGULAR LEGS

	MELAMINE TOP	GLASS TOP	£
W. 153 x D. 87 cm - left-hand return	3 095 233 + top + SA	3 095 233 + top + SA	952
W. 153 x D. 87 cm - right-hand return	3 095 230 + top + SA	3 095 230 + top + SA	952

MELAMINE WORKTOP ON SUPPORTING METAL PEDESTAL WITH MELAMINE DRAWER FRONTS

	LEFT-HAND RETURN	RIGHT-HAND RETURN	£
W. 153 x D. 87 cm	3 095 231 + top + SA	3 095 228 + top + SA	692

OPTIONAL EXTRAS

METAL MODESTY PANELS FOR DESKS WITH ROUNDED TRIANGULAR LEGS

		£
For rectangular desks W. 170 cm	3 095 739 + leg	60
For rectangular desks W. 200 cm	3 095 671 + leg	68
For curved desks	3 095 668 + leg	192

AIRCHARGE

Wireless inductive charger ø 8 cm	6 478 011 + SO or SG	164
-----------------------------------	----------------------	------------

VERTICAL CABLE HOLDER

H. 72 cm	6 478 097 + SO or SB	40
----------	----------------------	-----------

SQUARE CABLE PORTS Ø 8 CM

1 power socket / 1 RJ45 / 1 USB	6 478 111 + SO or OF	72
---------------------------------	----------------------	-----------

FRAME DESIGN LEGS

RECTANGULAR DESKS

	MELAMINE TOP	£	GLASS TOP	£
W. 170 x D. 90 cm	3 095 740 + top + leg	572	W. 180 x D. 100 cm 3 095 690 + top + leg	1036
W. 200 x D. 90 cm	3 095 741 + top + leg	636	W. 200 x D. 100 cm 3 095 691 + top + leg	1116

RECTANGULAR DESKS WITH FIXED RETURN D. 60 CM

Desk structure featuring a melamine worktop with fixed return on Frame legs.

	LEFT-HAND RETURN	RIGHT-HAND RETURN	£
W. 200 x D. 210 cm	3 095 751 + top + leg	3 095 753 + top + leg	856
W. 230 x D. 210 cm	3 095 752 + top + leg	3 095 754 + top + leg	916

FIXED RETURNS FOR RECTANGULAR DESKS

Structure available with melamine worktop.

ON FRAME LEG

	LEFT-HAND RETURN	RIGHT-HAND RETURN	£
W. 150 x D. 60 cm	3 095 240 + top + leg	3 095 235 + top + leg	308

ON SUPPORTING METAL PEDESTAL WITH MELAMINE DRAWER FRONTS

	LEFT-HAND RETURN	RIGHT-HAND RETURN	£
W. 150 x D. 60 cm	3 095 239 + top + leg	3 095 234 + top + leg	576

OPTIONAL EXTRAS FOR FRAME LEG DESKS

METAL MODESTY PANELS

		£
For rectangular desks W. 170 cm	3 095 739 + fin.	60
For rectangular desks W. 180 cm	3 095 670 + fin.	64
For rectangular desks W. 200 cm	3 095 671 + fin.	68

EASY ACCESS STORAGE

MOBILE PEDESTALS

METAL PEDESTALS

Melamine drawer fronts. Melamine back panel in a wood aspect in a matching finish to drawer fronts. Selective drawer opening system, top drawer opens to a depth of 100 %. Integrated pen tray. Folding key. A4 filing optimized. W. 42 x D. 56 x H. 58.8 cm.

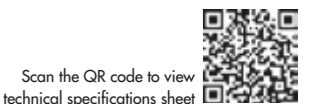
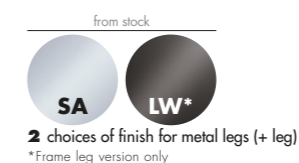
		£
1 box drawer + 1 filing drawer	3 095 726 + top + fin.	364
3 drawers	3 095 727 + top + fin.	364

MELAMINE PEDESTALS

Selective drawer opening system, drawers open to a depth of 100 %. Central locking. Integrated pen tray. Metal handles in an aluminium grey finish. W. 40 x D. 60 x H. 55.40 cm. A4 filing optimized.

1 box drawer + 1 filing drawer	3 095 749 + top + SA	316
3 drawers	3 095 750 + top + SA	316

CHOICES OF FINISH



MEETING TABLES

CIRCULAR Ø 120 CM - SEATS 4 PEOPLE

	MELAMINE TOPS	£	GLASS TOPS	£
4 rounded triangular legs	3 095 137 + top + SA	604		
1 central stem	3 095 723 + top + leg	624	3 095 723 + top + leg	1068

SQUARE W. 120 X D. 120 CM - SEATS 4 PEOPLE

4 rounded triangular legs	3 095 705 + top + SA	568
4 square metal legs in aluminium grey	3 095 707 + top + SA	448

BARREL W. 220 X D. 110 CM - SEATS 6/8 PEOPLE

4 rounded triangular legs	3 095 134 + top + SA	768
2 central stems	3 095 722 + top + leg	1168

RECTANGULAR W. 200 X D. 90 CM - SEATS 6/8 PEOPLE

4 square metal legs in aluminium grey	3 095 728 + top + SA	544
---------------------------------------	----------------------	------------

OVAL W. 220 X D. 120 CM - SEATS 8 PEOPLE

4 rounded triangular legs	3 095 131 + top + SA	824	3 095 131 + top + SA	1732
2 central stems	3 095 721 + top + leg	1176		

STORAGE UNITS

TRADITIONAL STORAGE SOLUTIONS

Melamine cupboard in either an aluminium grey MH or graphite grey MY (+ fin.) finish. Melamine cupboard doors 19 mm thick (+ top) or enamelled toughened safety glass 6 mm thick (+col.). Metal handles in an aluminium grey finish. 3-point lock on high cupboard doors, single point locking mechanism on medium and low cupboard doors. Glass doors are not lockable. W. 80 x D. 40.7 (without doors) or D. 42.6 cm.

CUPBOARDS H. 71 CM - 1 SHELF

Without doors	3 095 634 + fin.	124
2 standard doors	3 095 641 + top + fin.	256
2 enamelled glass doors	3 095 643 + fin. + col.	312
Refrigerator	3 095 729 + top + fin.	796

CUPBOARDS H. 133.3 CM - 3 SHELVES

Without doors	3 095 632 + fin.	215
2 standard doors	3 095 639 + top + fin.	368
2 enamelled glass doors	3 095 642 + fin. + col.	436

CUPBOARDS H. 197.3 CM - 4 SHELVES

Without doors	3 095 633 + fin.	248
2 standard doors	3 095 640 + top + fin.	476
1/3 standard doors + 2/3 glass enamelled doors	3 095 658 + top + fin. + col.	572
Wardrobe unit	3 095 718 + top + fin.	572

MELAMINE DECORATIVE TOPS 19 MM THICK D. 43.20 CM

W. 80 cm	3 095 709 + top	55
W. 160 cm	3 095 710 + top	79

DECORATIVE SIDE PANELS 19 MM THICK

Require fitting of decorative melamine top (on request – allow 6 weeks)

Set of 2 - for cupboard H. 71 cm	3 095 711 + top	55
Set of 2 - for cupboard H. 133.3 cm	3 095 712 + top	84
Set of 2 - for cupboard H. 197.3 cm	3 095 713 + top	119

OPTIONAL MELAMINE SHELF

For cupboards W. 80 cm	3 095 763 MH	26
------------------------	--------------	-----------

METAL SHELF FOR SUSPENSION FILES

For cupboards W. 80 cm	3 095 764 SC	25
------------------------	--------------	-----------

METAL TELESCOPIC FILING CRADLES FOR SUSPENSION FILES IN BLACK FINISH

For cupboards W. 80 cm	3 095 765 SG	132
------------------------	--------------	------------

DECO STORAGE SOLUTIONS

Melamine cupboard shell 38 mm thick in a wood decorative finish, back and front panels 19 mm thick, in a snow white MG or taupe RU finish. Swing doors and drawers: opening by push-release system. Sliding doors with built-in lock. Select cupboard models can be fitted with swing doors and drawers, but they do not include rails to allow fitting of sliding doors. Cupboards with sliding doors feature guide rails fitted to the top and base of the units. High cupboards are formed by the combination of a medium and a low cupboard. W. 120 x D. 46 cm.

MELAMINE SLIDING DOORS

CUPBOARDS H. 78.2 CM - 1 SHELF

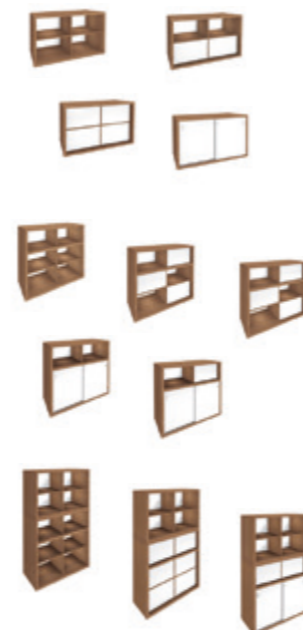
	£		£
Without doors	3 095 766 + top + col.	396	
2 swing doors	3 095 768 + top + col.	480	
4 swing doors	3 095 769 + top + col.	564	
2 sliding doors	3 095 767 + top + col.	584	3 095 790 + top + col. + GS
			920

CUPBOARDS H. 115.4 CM - 2 SHELVES

Without doors	3 095 770 + top + col.	544	
3 swing doors	3 095 774 + top + col.	672	
2 swing doors + 1 drawer unit	3 095 773 + top + col.	756	
2 sliding doors	3 095 771 + top + col.	732	3 095 791 + top + col. + GS
			1068
2 sliding doors + 1 drawer unit	3 095 772 + top + col.	860	3 095 792 + top + col. + GS
			1196

CUPBOARDS H. 191.6 CM - 4 SHELVES

Without doors	3 095 775 + top + col.	928	
6 swing doors	3 095 778 + top + col.	1196	
2 sliding doors + 2 swing doors	3 095 776 + top + col.	1176	3 095 793 + top + col. + GS
			1512
2 sliding doors + 2 drawer units	3 095 777 + top + col.	1216	3 095 794 + top + col. + GS
			1552



Swing doors open by means of a push-release system.



Stacked 2-drawer unit opens by means of a push-release system.



Set of 2 sliding doors with built-in lock.

CHOICES OF FINISH

from stock

MQ **RL** **MT** **GB** **GD** **SA** **LW*** **MG** **RU** **MH** **MY**

3 choices of finish for melamine worktops and Deco cupboard shells (+ top)

2 choices of glass top finish (+ top)

2 choices of finish for metal legs (+ leg) * Except rounded triangular legs

2 choices of front and back panel finish for Deco storage units (+ col.)

2 choices of traditional cupboard shell finish (+ fin.)

Scan the QR code to view technical specifications sheet