



ACTIUM

DECISION-MAKING



The Actium range's contemporary design offers a sleek yet comfortable workspace for visitors to engage with. Rich wood veneers and modern glazed surfaces convene in this singular collection of executive office furniture.





Firmly established at the cutting edge of the executive office range offering, Actium tastefully combines innovation and efficient storage solutions with purposeful layout designs.

ARNAUD BARRAL Managing Director





Wood veneer worktop resting on a «Frame» design leg and supporting return.



Wood veneer supporting return with sliding doors.



Square meeting table with central leg structure.



Deco range cupboard units with wood veneer doors and drop leaf panel, featuring a Push opening system.



ACTIUM

Solutions 4 Office Ltd www.solutions-4.co.uk

Tel: 0207 309 2909



WOOD VENEER WORKTOPS

Wood veneer worktops 17.4 mm thick. Wood veneer edge banding rounded at the top and bottom for optimal user comfort. Edge banding in a matching finish to the worktop. The top attaches to the desk structure by means of screws and metal inserts. Worktop height: 72.74 cm.



JS
WALNUT



JR
EBONY



JU*
OLIVE TREE

*on request (allow 6 weeks)

Wood veneer is a natural product. It may therefore present variations in colour and pattern, particularly when viewed at different angles to the grain and at different angles to the light.

CLEAR OR ENAMELLED GLASS WORKTOPS

Toughened safety glass worktops 12 mm thick. Smoothed joints and rounded edges for maximum user comfort. 3 choices of glass tops available: clear glass with enamelled underside; clear acid-frosted glass; colour-tinted glass. Fixed to the desk structure with suction cups. Worktop height: 72.20 cm



GB
ENAMELLED
GLOSSY LIGHT GREY



GD
ENAMELLED
GLOSSY BLACK



GA**
CLEAR FROSTED



GH**
CLEAR SMOKED GREY

**4 leg models only



1



2

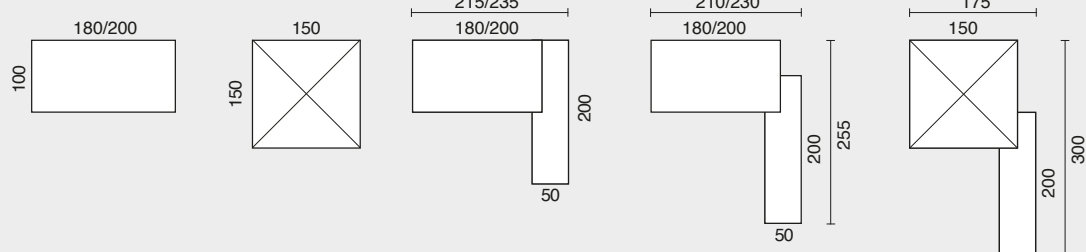


3

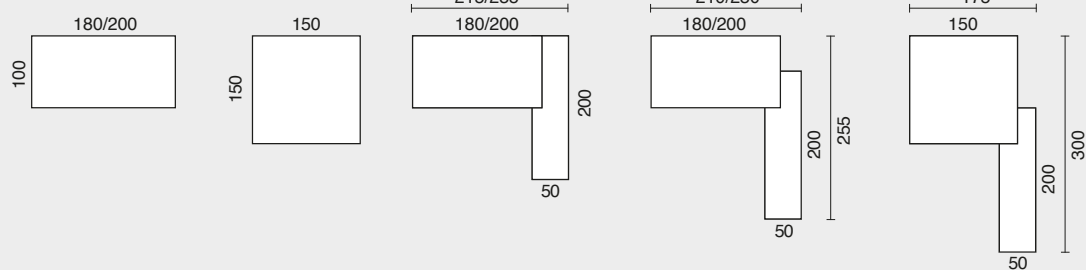


4

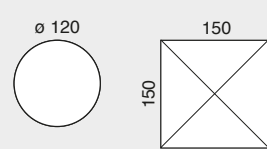
Desking Wood veneer tops



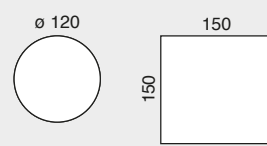
Glass tops



Meeting tables Wood veneer tops



Glass tops

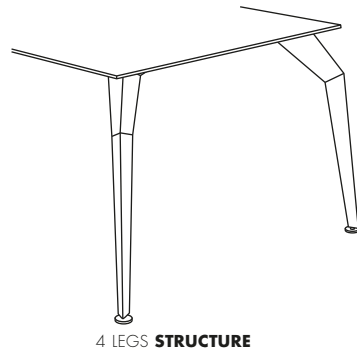


4 LEGS METAL STRUCTURE

Metal desk structure comprising a supporting frame made from triangular section tubular steel. The 4 legs are made from 15/10 thickness sheet steel, secured to the desk frame by means of metal top plates. The legs are mounted on stabilizer feet ø 50 mm, adjustable through 15 mm.

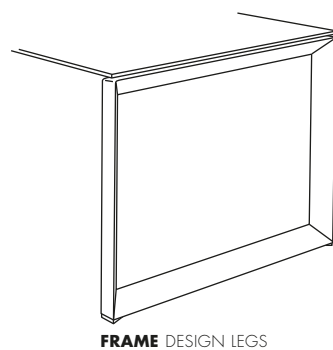
FRAME

Triangular section 59 x 59 x 80 mm, tubular steel "Frame" design legs. Structural rigidity ensured by a horizontal tubular crossbar assembled to the leg section. Stabilizer feet adjust in height through 15 mm.



4 LEGS STRUCTURE

182



FRAME DESIGN LEGS



SA
ALUMINIUM GREY



LW
GLOSSY BLACK



5



7



6

1- Two choices of worktop: wood veneer or toughened safety glass. Worktops 150 x 150 cm are formed by combining 4 triangular panels, secured with steel brackets to the metal desk frame **2-3-** Two types of leg design: 4 legs on structure or Frame on crossbar **4-** Supporting return with melamine shell in a matching finish to legs. Wood veneer sliding doors in a matching finish to worktop. Melamine or wood veneer top **5-** Optional metal modesty panel for rectangular desks on Frame legs **6-** Mobile metal pedestal with wood veneer inlay drawer fronts - Recessed metal handles in a matching finish - Optional wood veneer top **7-** Shell and shelves in glossy melamine, doors and decorative top in 17.4 mm thick wood veneer matching the worktop finish. Wood veneer doors open by means of a Push opening system. Drop leaf door in matching finish to the unit's shell.



Scan the QR code to view technical specifications sheet

183

4 LEGS STRUCTURE

SQUARE DESKS

GLASS TOPS	ENAMELLED	£	CLEAR	£
W. 150 x D. 150 cm	3 160 023 + top + LW	1320	3 160 023 + top + LW	1320
WOOD VENEER TOPS	FROM STOCK		ON REQUEST	
W. 150 x W. 150 cm	3 160 020 + top + LW	1720	3 160 020 JU LW	2228

RECTANGULAR DESKS

GLASS TOPS	ENAMELLED	£	CLEAR	£
W. 180 x D. 100 cm	3 160 021 + top + LW	1119	3 160 021 + top + LW	1119
W. 200 x D. 100 cm	3 160 022 + top + LW	1199	3 160 022 + top + LW	1199
WOOD VENEER TOPS	FROM FROM STOCK		ON REQUEST	
W. 180 x D. 100 cm	3 160 018 + top + LW	904	3 160 018 JU LW	1064
W. 200 x D. 100 cm	3 160 019 + top + LW	956	3 160 019 JU LW	1116

SQUARE DESKS WITH SUPPORTING RETURN D.50 CM

Melamine shell for the supporting return in an aluminium grey MH or glossy black RO finish matching the metal leg. Metal handles in the same finish as the return shell.

GLASS TOPS	FROM STOCK	£	ON REQUEST	£
Structural melamine top in a matching finish to the return shell and metal legs. Wood veneer sliding doors (+ col.).				
W. 175 x D. 300 cm	3 160 035 + top + LW + col.	2316	3 160 035 + top + LW JU	2584
Structural top and wood veneer sliding doors (+ col.).				
W. 175 x D. 300 cm	3 160 032 + top + LW + col.	2504	3 160 032 + top + LW JU	2756
WOOD VENEER TOPS	FROM STOCK		ON REQUEST	
Structural melamine top in a matching finish to the return shell and metal legs. Wood veneer sliding doors in a matching finish to worktop.				
W. 175 x D. 300 cm	3 160 029 + top + LW	2740	3 160 029 JU LW	3408
Structural top and wood veneer sliding doors in a matching finish to worktop.				
W. 175 x D. 300 cm	3 160 026 + top + LW	2928	3 160 026 JU LW	3720

RECTANGULAR DESKS WITH SUPPORTING RETURN D.50 CM

Melamine shell for supporting return in an aluminium grey MH or glossy black RO finish matching the metal legs. Metal handles in the same finish as the return shell.

GLASS TOPS	FROM STOCK	£	ON REQUEST	£
Structural melamine top in a matching finish to the return shell and metal legs. Wood veneer sliding doors (+ col.).				
W. 210 x D. 255 cm	3 160 033 + top + LW + col.	2152	3 160 033 + top + LW JU	2360
W. 230 x D. 255 cm	3 160 034 + top + LW + col.	2232	3 160 034 + top + LW JU	2440
Structural top and wood veneer sliding doors (+ col.).				
W. 210 x D. 255 cm	3 160 030 + top + LW + col.	2324	3 160 030 + top + LW JU	2564
W. 230 x D. 255 cm	3 160 031 + top + LW + col.	2404	3 160 031 + top + LW JU	2644
WOOD VENEER TOPS	FROM STOCK		ON REQUEST	
Structural melamine top in a matching finish to return shell and metal legs. Wood veneer sliding doors in a matching finish to worktop.				
W. 210 x D. 255 cm	3 160 027 + top + LW	1936	3 160 027 JU LW	2304
W. 230 x D. 255 cm	3 160 028 + top + LW	1984	3 160 028 JU LW	2352
Structural top and wood veneer sliding doors in a matching finish to worktop.				
W. 210 x D. 255 cm	3 160 024 + top + LW	2076	3 160 024 JU LW	2536
W. 230 x D. 255 cm	3 160 025 + top + LW	2124	3 160 025 JU LW	2584

CHOICES OF FINISH



FRAME DESIGN LEG

SQUARE DESKS

GLASS TOPS	ENAMELLED	£		£
W. 150 x D. 150 cm	3 160 041 + top + leg	1400		
WOOD VENEER TOPS	FROM STOCK		ON REQUEST	
W. 150 x D. 150 cm	3 160 038 + top + leg	1876	3 160 038 JU + leg	2312

RECTANGULAR DESKS

GLASS TOPS	ENAMELLED	£		£
W. 180 x D. 100 cm	3 160 039 + top + leg	1052		
W. 200 x D. 100 cm	3 160 040 + top + leg	1132		
WOOD VENEER TOPS	FROM STOCK		ON REQUEST	
W. 180 x D. 100 cm	3 160 036 + top + leg	796	3 160 036 JU + leg	944
W. 200 x D. 100 cm	3 160 037 + top + leg	844	3 160 037 JU + leg	992

SQUARE DESKS WITH SUPPORTING RETURN D.50 CM

Melamine shell for supporting return in an aluminium grey MH or glossy black RO finish matching the metal legs. Metal handles in the same finish as the return shell.

ENAMELLED GLASS TOPS	FROM STOCK	£	ON REQUEST	£
Structural melamine top in a matching finish to the return shell and metal legs. Wood veneer sliding doors (+ col.).				
W. 175 x D. 300 cm	3 160 053 + top + leg + col.	2200	3 160 053 + top + leg + JU	2452
Structural top and wood veneer sliding doors (+ col.).				
W. 175 x D. 300 cm	3 160 050 + top + leg + col.	2488	3 160 050 + top + leg + JU	2772
WOOD VENEER TOPS	FROM STOCK		ON REQUEST	
Structural melamine top in a matching finish to the return shell and metal legs. Wood veneer sliding doors in a matching finish to worktop.				
W. 175 x D. 300 cm	3 160 047 + top + leg	2676	3 160 047 JU + leg	3424
Structural top and wood veneer sliding doors in a matching finish to worktop.				
W. 175 x D. 300 cm	3 160 044 + top + leg	2996	3 160 044 JU + leg	3744

RECTANGULAR DESKS WITH SUPPORTING RETURN D.50 CM

Melamine shell for supporting return in an aluminium grey MH or glossy black RO finish matching the metal legs. Metal handles in the same finish as the return shell.

ENAMELLED GLASS TOPS	FROM STOCK	£	ON REQUEST	£
Structural melamine top in a matching finish to the return shell and metal legs. Wood veneer sliding doors (+ col.).				
W. 215 x D. 200 cm	3 160 051 + top + leg + col.	1912	3 160 051 + top + leg + JU	2176
W. 235 x D. 200 cm	3 160 052 + top + leg + col.	1992	3 160 052 + top + leg + JU	2256
Structural top and wood veneer sliding doors (+ col.).				
W. 215 x D. 200 cm	3 160 048 + top + leg + col.	2200	3 160 048 + top + leg + JU	2464
W. 235 x D. 200 cm	3 160 049 + top + leg + col.	2280	3 160 049 + top + leg + JU	2544
WOOD VENEER TOPS	FROM STOCK		ON REQUEST	
Structural melamine top in a matching finish to the return shell and metal legs. Wood veneer sliding doors in a matching finish to worktop.				
W. 215 x D. 200 cm	3 160 045 + top + leg	1608	3 160 045 JU + leg	1992
W. 235 x D. 200 cm	3 160 046 + top + leg	1656	3 160 046 JU + leg	2040
Structural top and wood veneer sliding doors in a matching finish to worktop.				
W. 215 x D. 200 cm	3 160 042 + top + leg	1896	3 160 042 JU + leg	2280
W. 235 x D. 200 cm	3 160 043 + top + leg	1944	3 160 043 JU + leg	2328

EASY ACCESS STORAGE

MOBILE METAL PEDESTALS

Mobile metal pedestal with wood veneer inlay drawer fronts. Recessed metal handles in matching finish to the pedestal shell. Metal drawers with telescopic ball-bearing runners, open to a depth of 100%. Integrated pen tray. Central locking mechanism.



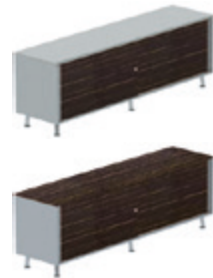
W. 42 X D. 56 X H. 58.8 CM	FROM STOCK	£	ON REQUEST	£
1 box drawer + 1 filing drawer	3 160 064 + top + leg	536	3 160 064 JU + leg	600
3 drawers	3 160 065 + top + leg	536	3 160 065 JU + leg	600

OPTIONAL WOOD VENEER TOP FOR PEDESTALS

3 160 066 + top	140	3 160 066 JU	200
-----------------	------------	--------------	------------

LOW CREDENZAS WITH SLIDING DOORS

Wood veneer sliding doors. Melamine shell and structural top in an aluminium grey MH or glossy black RO finish, matching the metal legs. Metal handles in a matching finish. Resting on 6 metal feet in a matching finish to the credenza shell.



	FROM STOCK	ON REQUEST	
H. 66.7 x W. 200 x D. 50 cm	3 160 068 + top + leg	1100	3 160 068 JU + leg

Wood veneer sliding doors and top. Melamine shell in an aluminium grey MH or glossy black RO finish matching the metal legs. Metal handles in a matching finish. Resting on 6 metal feet in a matching finish to the credenza shell.

H. 66.7 x W. 200 x D. 50 cm	3 160 067 + top + leg	1300	3 160 067 JU + leg	1560
-----------------------------	-----------------------	-------------	--------------------	-------------

MEETING TABLES

CIRCULAR TABLES



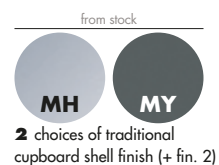
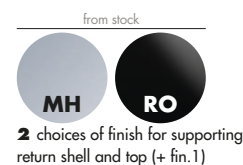
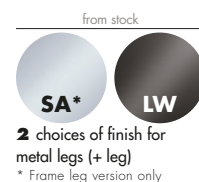
GLASS TOPS	ENAMELLED	£	CLEAR	£
ø 120 cm on central stem	3 160 062 + top + leg	1072	3 160 062 + top + leg	1072
WOOD VENEER TOPS	FROM STOCK		ON REQUEST	
ø 120 cm on central stem	3 160 058 + top + leg	652	3 160 058 JU + leg	799
ø 120 cm on 4 legs	3 160 059 + top + LW	984	3 160 059 JU LW	1128

SQUARE TABLES



GLASS TOPS	ENAMELLED		
W. 150 x D. 150 cm on centrally positioned Frame leg	3 160 063 + top + leg	1400	
WOOD VENEER TOPS	FROM STOCK		ON REQUEST
W. 150 x D. 150 cm on centrally positioned Frame leg	3 160 060 + top + leg	1876	3 160 060 JU + leg
W. 150 x D. 150 cm on 4 legs	3 160 061 + top + LW	1720	3 160 061 JU LW

CHOICES OF FINISH



STORAGE UNITS

DECO CUPBOARDS

Melamine shell in an aluminium grey MH or glossy black RO (+fin.1) finish. Wood veneer doors and tops (+ top). Drop-leaf door in a matching finish to the melamine cupboard shell.

W. 100 x D. 46 cm.	FROM STOCK	£	ON REQUEST	£
CUPBOARDS H. 83.5 CM - 1 SHELF				
2 wood veneer doors	3 160 070 + top + fin.1	788	3 160 070 JU + fin.1	952

CUPBOARDS H. 115.7 CM - 2 SHELVES

2 wood doors with open top compartment	3 160 071 + top + fin.1	1036	3 160 071 JU + fin.1	1204
2 wood doors and top compartment with drop leaf door	3 160 072 + top + fin.1	1224	3 160 072 JU + fin.1	1392

CUPBOARDS H. 191.7 CM - 4 SHELVES

4 doors and open central compartment	3 160 073 + top + fin.1	1599	3 160 073 JU + fin.1	1896
4 wood doors and top compartment with drop leaf door	3 160 074 + top + fin.1	1796	3 160 074 JU + fin.1	2092

OPTIONAL EXTRA

MELAMINE SHELF

For cupboards W. 100 cm	3 140 043 + fin.1	48
-------------------------	-------------------	-----------

TRADITIONAL CUPBOARDS

Melamine cupboard shell and shelves 19 mm thick with 2 choices of finish: aluminium grey MH or graphite grey MY (+ fin. 2). Metal handles in an aluminium grey finish. Toughened safety glass doors 4 mm thick with aluminium frame.

W. 80 x D. 42.6 cm.	EMAILLE		CLEAR	
CUPBOARDS H. 71 CM - 1 SHELF				
2 glass doors	3 160 075 + top + fin. 2	840	3 160 075 + top + fin. 2	840

CUPBOARDS H. 133.3 CM - 3 SHELVES

2 glass doors	3 160 076 + top + fin. 2	1112	3 160 076 + top + fin. 2	1112
---------------	--------------------------	-------------	--------------------------	-------------

CUPBOARDS H. 197.3 CM - 4 SHELVES

4 glass doors	3 160 077 + top + fin. 2	1839	3 160 077 + top + fin. 2	1839
---------------	--------------------------	-------------	--------------------------	-------------

OPTIONAL EXTRAS

ALUMINIUM GREY OR GRAPHITE GREY MELAMINE SHELF

For cupboards W. 80 cm	3 160 078 + fin. 2	28
------------------------	--------------------	-----------

OPTIONAL TOP FOR TRADITIONAL STORAGE UNITS

Contact us for details

OPTIONAL EXTRAS FOR DESKS



① VERTICAL CABLE MANAGEMENT

Magnetic metal cable holder for 4 leg desks.

3 160 069 + leg	28
-----------------	-----------

② METAL MODESTY PANELS

For desks featuring Frame design legs only.

	£	£
For desks W.180 cm	3 160 056 + leg	68
For desks W. 200 cm	3 160 057 + leg	72